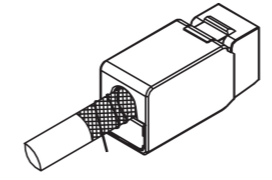
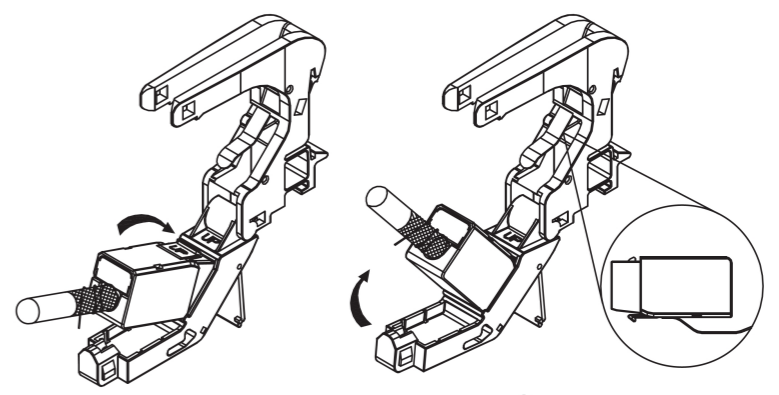


Installation

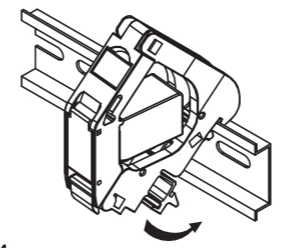


Step 1:
Properly terminate a screened keystone cable with screened cable for DIN RAIL grounding connection.

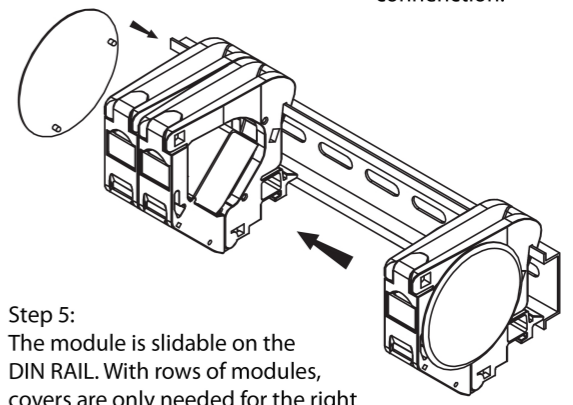


Step 2:
Insert the keystone jack into DIN RAIL module, make sure the jack latch facing up.

Step 3:
Lock the module and make sure the grounding spring contacts the jack to ensure grounding connection.

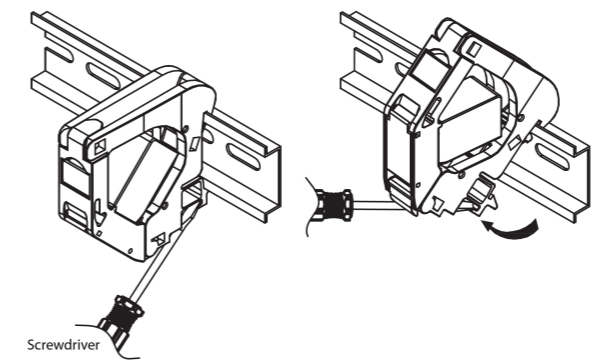


Step 4:
Insert the DIN RAIL module at the top and rotate to click.



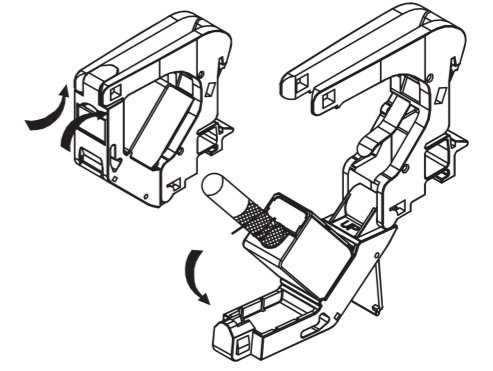
Step 5:
The module is slidable on the DIN RAIL. With rows of modules, covers are only needed for the right and left ends of the row.

Remove:



Insert a screwdriver into the opening at the bottom of the module and use it as a lever to pull out the module.

Open:



Use screwdrivers or fingers to open the poles at the top of the module.

	All rights reserved	Created by PREOTU	Inspected by FARCASIU	Standardisation HOFFMANN	Date 2020-07-30	State Final Release	
	Department EL PD	Title RJ45 DIN-rail outlet for keystone jacks				Doc-Key / ECM-Nr. 100536780/UGD/001/D 500000176998	
HARTING Electronics GmbH D-32339 Espelkamp		Type TB	Number 09458510000			Rev. D	Page 1/1